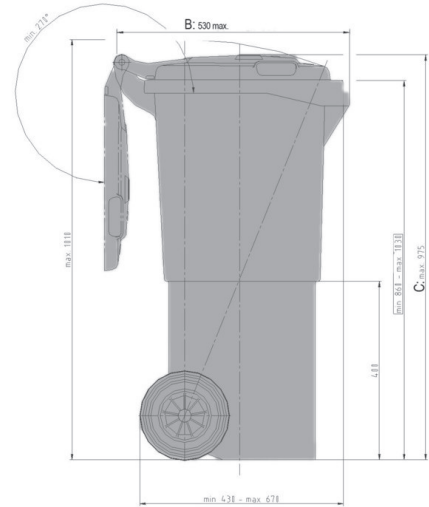
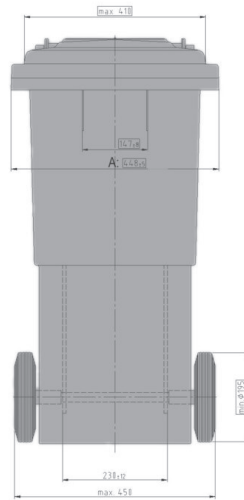



IP-MGB /60 I

60 L



Art.No: IP-MGB/60

Technical Data:

External dimension L x W x H mm:	A: 448±5	B: 530 max.	C: 975 max.
Volume (l):	60 l		
Material body, material lid:	PE/PE		
Holding capacity (kg)		40 kg	
Available colours:	green, grey, brown, blue, red, yellow		

Characteristics:

Container corresponds to:	EN 840, RAL-GZ 951/1 Directive 2000/14/EG
Travelling gear:	External wheel, Ø 200 mm, rubber tired wheels, wheel axle from tempered galvanized steel
Receiver:	Comb lift
Prepared for transponder	Yes

Extra equipment / Accessories

Automatic lock
Reflectors

Loading quantities (Pcs Approximate amount):

On request

Labeling:

On the lid, on the body

*1) All specifications quoted are subject to change. We receive the right to make changes to product design and specification.

*2) Extra equipment, accessories, as well as other colors are available at extra cost and on request

