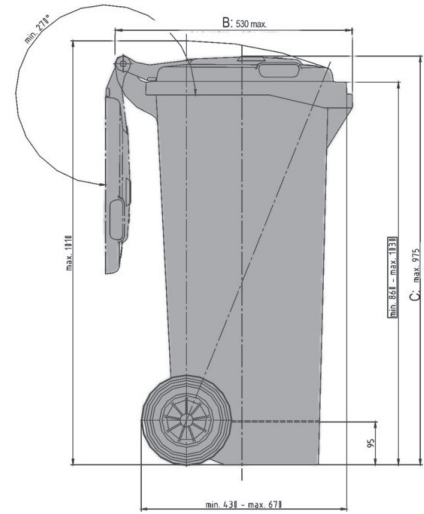
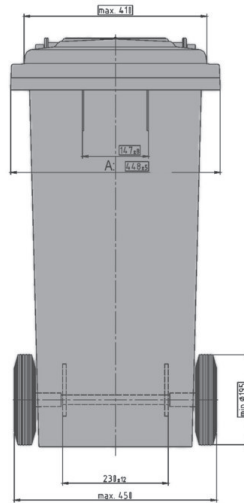


# IP-MGB /80 I

## 80 L




Art.No: IP-MGB/80

### Technical Data:

External dimension L x W x H mm: A: 448±5 B: 530 max. C: 975 max.

Volume (l): 80 l

Material body, material lid: PE/PE

Holding capacity (kg)  40 kg

Available colours: green, grey, brown, blue, red, yellow

### Characteristics:

Container corresponds to: EN 840, RAL-GZ 951/1 Directive 2000/14/EG  
 Travelling gear: External wheel, Ø 200 mm, rubber tired wheels, wheel axle from tempered galvanized steel  
 Receiver: Comb lift  
 Prepared for transponder: Yes

### Extra equipment / Accessories

Automatic lock  
 Reflectors

### Loading quantities (Pcs Approximate amount):

On request

### Labeling:

On the lid, on the body

\*1) All specifications quoted are subject to change. We receive the right to make changes to product design and specification.

\*2) Extra equipment, accessories, as well as other colors are available at extra cost and on request

