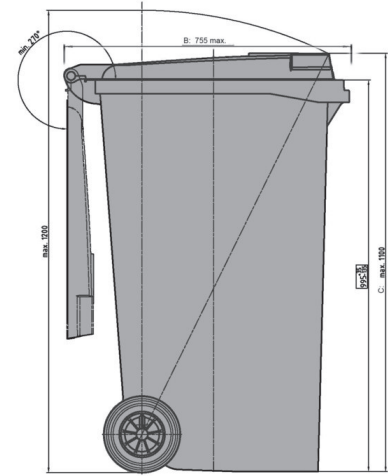
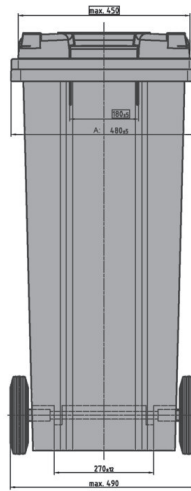




IP-MGBplus /180i

180 L




Wahlweise auch Rad-Ø250-s
(Wahlweiselz in Werkzeug)



Art.No: IP-MGBplus/180

Technical Data:

External dimension L x W x H mm:	A: 505 max.	B: 755 max.	C: 1100 max.
Volume (l):	180 l		
Material body, material lid:	PE/PE		
Holding capacity (kg)	 72 kg		
Available colours:	green, grey, brown, blue, red, yellow		

Characteristics:

Container corresponds to:	EN 840, RAL-GZ 951/1 Directive 2000/14/EG
Travelling gear:	External wheel, Ø 200 mm, rubber tired wheels, wheel axle from tempered galvanized steel
Receiver:	Comb lift
Prepared for transponder	Yes

Extra equipment / Accessories

Lids openable both sides
Automatic lock
Reflectors
Wheel Ø-250 mm

Loading quantities (Pcs Approximate amount):

On request

Labeling:

On the lid, on the body

*1) All specifications quoted are subject to change. We receive the right to make changes to product design and specification.

*2) Extra equipment, accessories, as well as other colors are available at extra cost and on request



IPG Intelligent Packaging Group AB
Skallabackavägen 24, 302 41 Halmstad, SWEDEN
www.ip-group.se
Växel: 035 102480
info@ip-group.se

