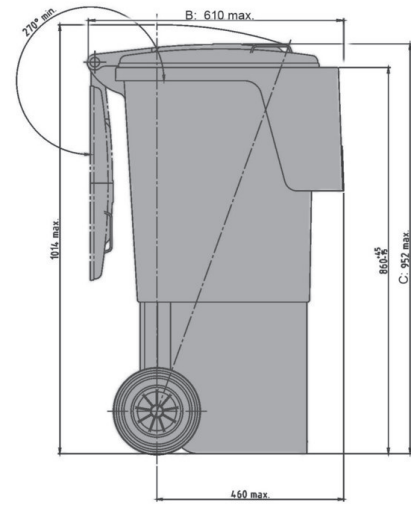
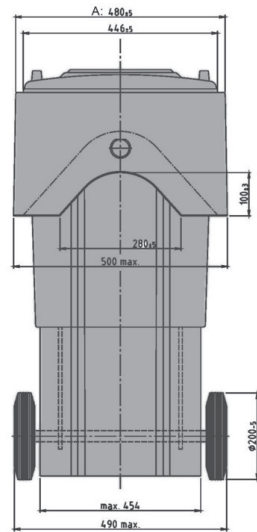


# IP-DU Container / 80 l

80 L



Art.No: IP-DU/CONT/80

## Technical Data:

External dimension L x W x H mm:	A: 480±5	B: 610 max.	C: 952 max.
Volume (l):	80 l		
Material body, material lid:	PE/PE		
Holding capacity (kg)	40 kg		
Available colours:	green, grey, brown, blue, red, yellow		

## Characteristics: Extra equipment / Accessories

Container corresponds to:	DIN 30760, Directive 2000/14/EG	Automatic lock
Travelling gear:	External wheel, Ø 200 mm, (DU360: 250mm) rubber tired wheels, wheel axle from tempered galvanized steel	Reflectors
Receiver:	Diamond receiver	
Prepared for transponder	Yes	

## Loading quantities (Pcs Approximate amount):

On request

## Labeling:

On the lid, on the body

\*1) All specifications quoted are subject to change. We receive the right to make changes to product design and specification.

\*2) Extra equipment, accessories, as well as other colors are available at extra cost and on request

